

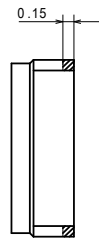
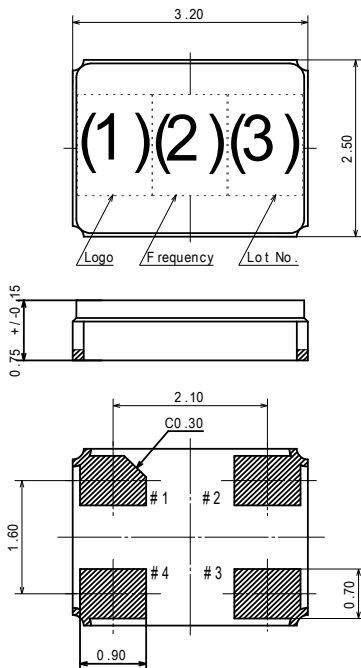
**SPECIFICATION OF SURFACE MOUNT TYPE**

1 .TYPE	DSX321G			
2 .NOMINAL FREQUENCY	12.000000	MHz		
3 .LOAD CAPACITANCE(CL)	12.0	pF		
4 .DRIVE LEVEL	10	uW	+/- 2	uW (300uW max.)
5 .FREQUENCY TOLERANCE	+/- 50	$\times 10^{-6}$	at 25 deg C +/- 3 deg C	
6 .SERIES RESISTANCE	100	ohms	max. /	CL = SERIES
7 .FREQUENCY CHARACTERISTICS OVER TEMPERATURE	+/- 150	$\times 10^{-6}$	/ -40 deg C to +105 deg C	
8 .OPERATING TEMPERATURE RANGE	-40	deg C	to	+105 deg C
9 .STORAGE TEMPERATURE RANGE	-40	deg C	to	+105 deg C
10 .SHUNT CAPACITANCE(C0)	2.0pF max.			
11 .INSULATION RESISTANCE	500 Mohms min. at 100V DC			
12 .OVERTONE ORDER	Fundamental			

(ref. +25 deg C)

13 .AGING	+/- $5 \times 10^{-6}$ / year
	+/- $10 \times 10^{-6}$ / 5years
	+/- $15 \times 10^{-6}$ / 10years

14 .DIMENSIONS



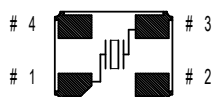
(1)Logo, (2)Frequency and Manufacturing Location

Producing District	(1)Logo	(2)Frequency
Indonesia	D	12
Thailand	—	12
Taiwan	D	<u>12</u>

- \* Made in Indonesia : Under Bar with (1)Logo
- \* Made in Thailand : Top Bar with (1)Logo
- \* Made in Taiwan : Under Bar with (2)Frequency

(3)Lot No.

< Top V iew >



unit : mm  
Tolerance : +/-0.1  
Pin #2 #4 is not connected with anything.

Approved	Checked	Drawn

Fig.-1