



# Differential Oscillator— P

## 3P-Series (3225)

### ■ Features

- 3.2 x 2.5 x H1.05±0.15 mm
- LVPECL output signaling types

### ■ Applications

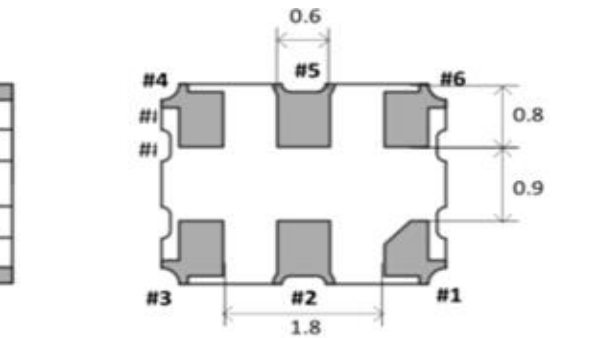
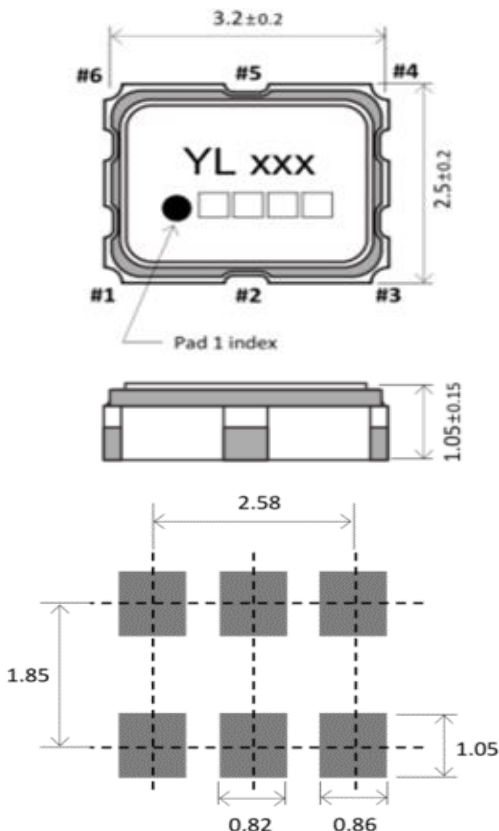
- 10GB Ethernet, SONET,SATA,SAS,Fibre Channel,PCI-Express
- pci-ExpressTelecom, networking,
- instrumentation, storage, server



### ■ General Specifications

#	Items	Parameters
1	Frequency range	25 ~ 175 MHz
2	Output type	LVPECL
3	Output Load	50 Ω
4	Supply voltage (V <sub>DD</sub> )	2.5V, 3.3V
5	Operating temperature range	-20 to +70°C, -40 to +85°C , or specify
6	Storage temperature range	-55 to +125°C
7	Frequency stability vs. operating temperature range	± 100 ppm , or specify
8	Current consumption	80mA Max.
9	Duty cycle	45 to 55%
10	Rise/fall time	1ns Max.
11	Output level V <sub>OH</sub>	V <sub>DD</sub> - 1.025 V Min.
12	Output level V <sub>OL</sub>	V <sub>DD</sub> - 1.62 V Max.
13	Phase Jitter ( 12 KHz ~ 20 MHz )	1.0ps Max.
14	Start-up time	10ms Max.

### ■ Package Dimensions, Pad Functions, & Recommended Land Pattern (Unit: mm)



Pad	Function	Symbol
#1	Output enable	OE
#2	Not connected	NC
#3	Ground	GND
#4	Output	OUT
#5	Complementary output	OUTN
#6	Supply voltage	V <sub>DD</sub>

Visit website



EMAIL : yl@dgylec.com TEL : +86 ( 0 ) 769 - 38879888  
WEB : http://www.dgylec.com/ FAX : +86 ( 0 ) 769 - 38879889