



# Differential Oscillator— H

## 3H-Series (3225)

### ■ Features

- 3.2 x 2.5 x H1.05±0.15 mm
- HCSL output signaling types

### ■ Applications

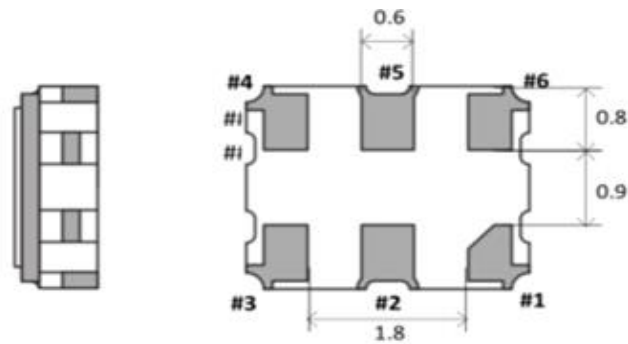
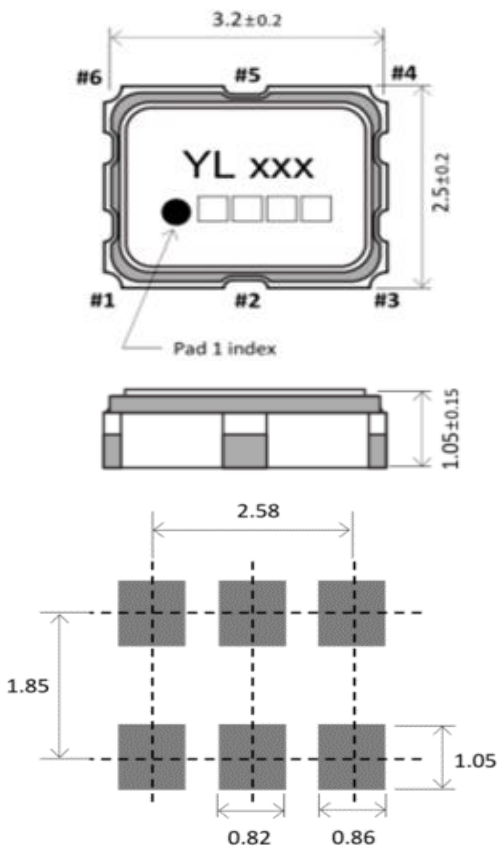
- Fiber channel , gigabit ethernet , serial ATA
- Serial attached SCSI , PCI-express
- SDH / SONET , Ethernet Switch



### ■ General Specifications

#	Items	Parameters
1	Frequency range	25 ~ 175 MHz
2	Output type	HCSL
3	Output Load	50 Ω
4	Supply voltage (V <sub>DD</sub> )	1.8 V , 2.5 V , 3.3 V
5	Operating temperature range	-20 to +70°C, -40 to +85°C , or specify
6	Storage temperature range	-55 to +125°C
7	Frequency stability vs. operating temperature range	± 100 ppm , or specify
8	Current consumption	80mA Max.
9	Output level V <sub>OH</sub>	0.74 V Typ.
10	Output level V <sub>OL</sub>	0 V Typ.
11	Duty cycle	45 to 55%
12	Rise/fall time	1ns Max.
13	Phase Jitter ( 12 KHz ~ 20 MHz )	1.0ps Max.
14	Start-up time	10ms Max.

### ■ Package Dimensions, Pad Functions, & Recommended Land Pattern (Unit: mm)



Pad	Function	Symbol
#1	Output enable	OE
#2	Not connected	NC
#3	Ground	GND
#4	Output	OUT
#5	Complementary output	OUTN
#6	Supply voltage	V <sub>DD</sub>

Visit website

