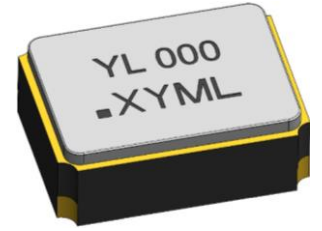




Temperature Compensated Crystal Oscillator 1T-Series (1612)



■ Features

- 1.6 x 1.2 x H0.0 Max. (mm)

■ Applications

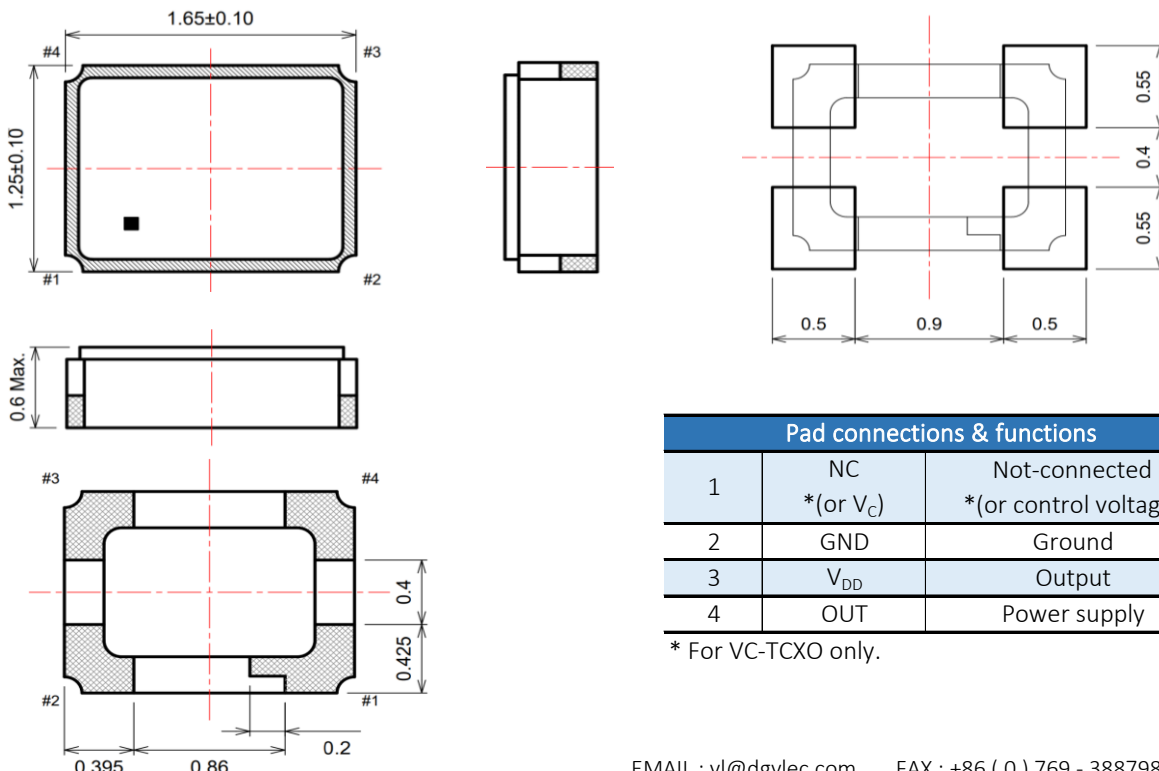
- Mobile, telecommunications
- GPS positioning, navigation
- Bluetooth, wireless LAN, consumer electronics



■ General Specifications

#	Items	Parameters
1	Frequency range	19.2MHz to 52MHz
2	Supply voltage (V _{DD})	1.68V to 3.63V
3	Current Consumption	1.5mA Max. (Below 26 MHz) 2.0mA Max. (Above 26 MHz)
4	Initial frequency tolerance at 25°C (Before reflow)	±1.0ppm Max.
5	Initial frequency tolerance at 25°C (After reflow)	±1.5ppm, ±2.0ppm Max.
6	Output type	Clipped sine wave (10kΩ//10pF output load)
7	Output level	0.8 V _{p-p} Min.
8	Start-up time	2.0ms Max.
9	Operating temperature range	-40 to +85°C
10	Storage temperature range	-40 to +125°C
11	Frequency stability vs. operating temperature	±0.5, ±2.0 ppm Max. (Refer to 25°C)
12	Frequency stability vs. ±5% supply voltage variation	±0.1 ppm Max.
13	Frequency stability vs. ±5% load variation	±0.1 ppm Max.
14	Aging	±1.0 ppm/year Max.
15	AFC voltage control function	Available in VC-TCXO

■ Package Dimensions, Pad Functions, & Recommended Land Pattern (Unit: mm)



Pad connections & functions		
1	NC *(or V _C)	Not-connected *(or control voltage)
2	GND	Ground
3	V _{DD}	Output
4	OUT	Power supply

* For VC-TCXO only.

Visit website

