

PACKING SPECIFICATION

Spec. ceramic package 5 × 3.2 size
GyroSensor

Date. Apr. 28 2009

TAPING SPECIFICATION

I. Application

This document is applicable to Ceramic package 5×3.2 size.

II. Contents

Item No.	Item	Page
[1]	Taping specification	1 to 2
[2]	Inner carton	3
[3]	Shipping carton	
[4]	Marking	4
[5]	Quantity	
[6]	Storage environment	
[7]	Storage time limit	
[8]	Handling	

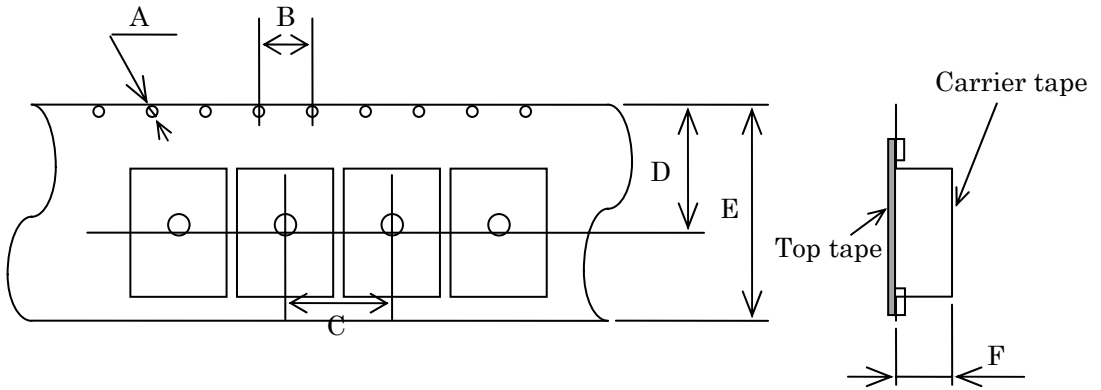
[1] Taping specification

Subject to EIA-481-1A & EIAJ RC-1009B

(1) Tape dimensions

Material of the carrier tape : Black conductive PS

Material of the top tape : PET (Antistatic)

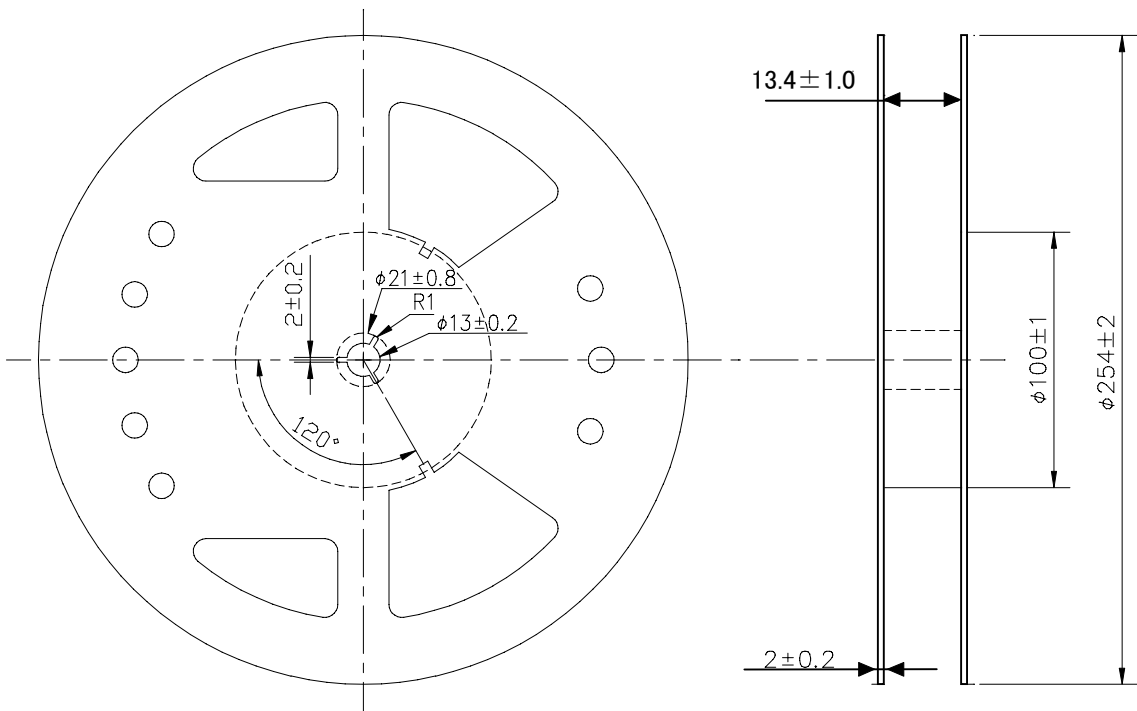


Symbol	A	B	C	D	E	F
Value	$\phi 1.5$	4.0	8.0	7.25	12.0	2.1

Unit : mm

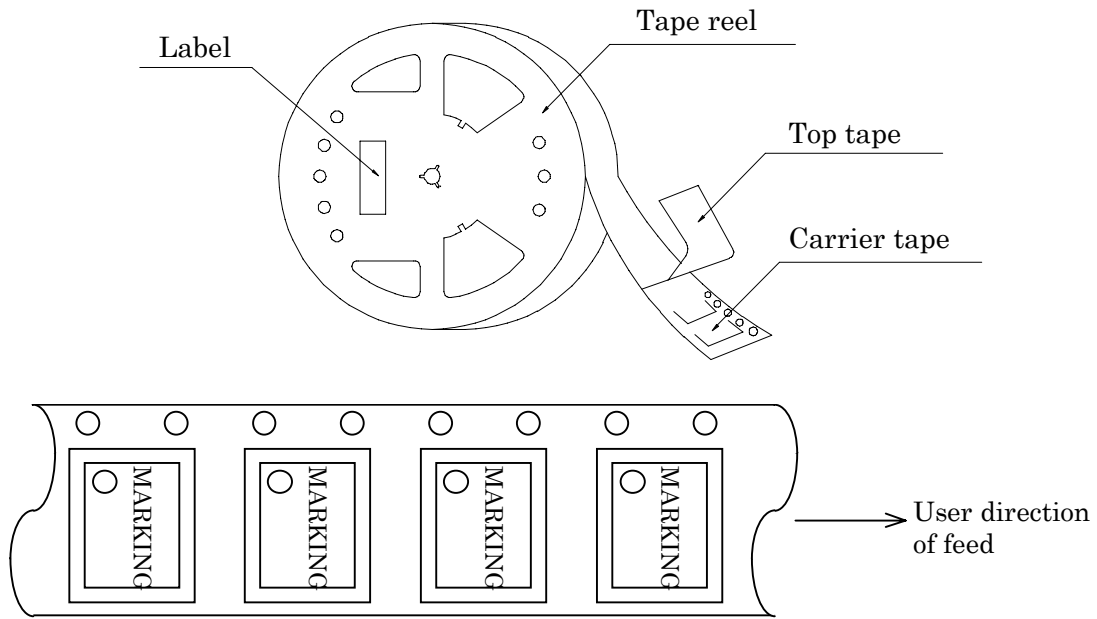
(2) Reel dimensions

Material of the reel : Black conductive PS

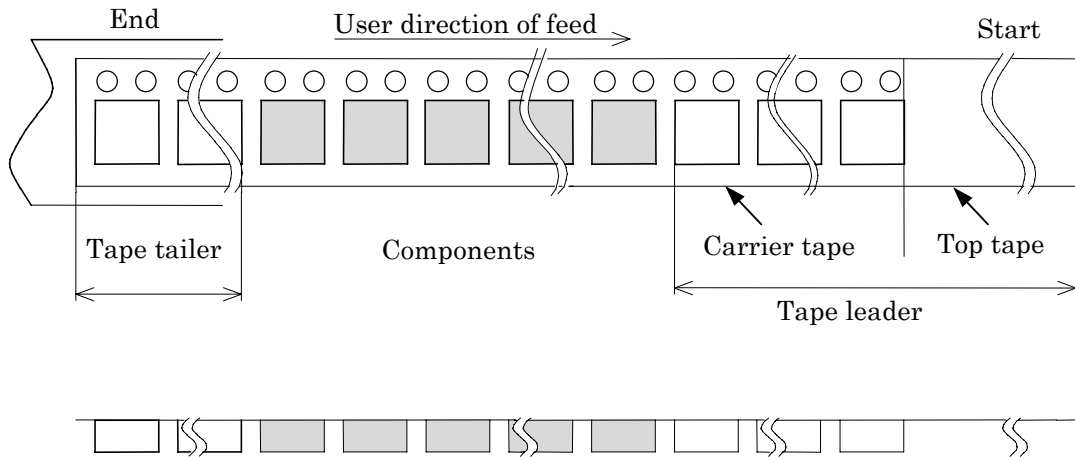


(3) Packing

1) Tape & reel Tape type : L



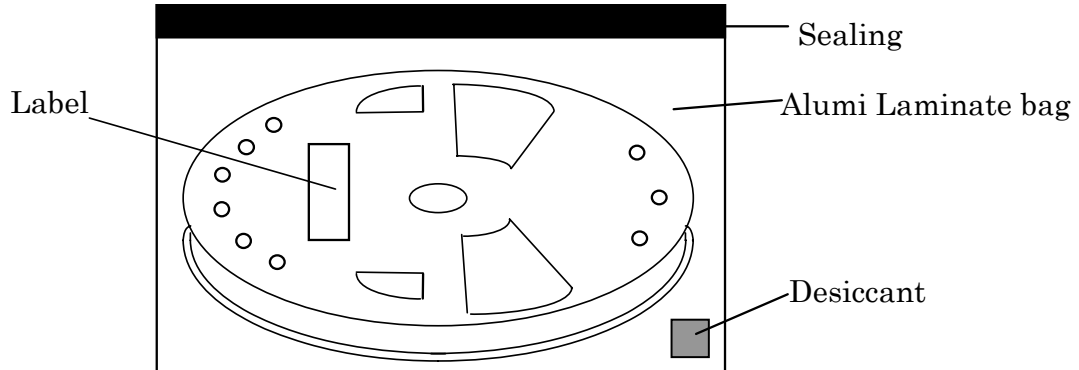
2) Start & end point



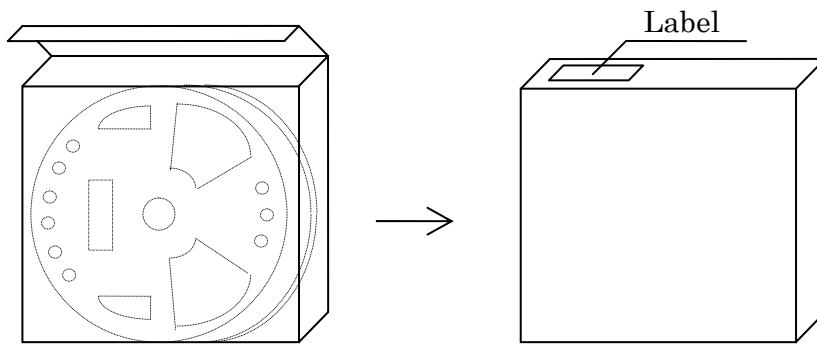
Item		Empty space
Tape leader	Top tape	Min. 1000 mm
	Carrier tape	Min. 160 mm (Min.20 pockets)
Tape tailer	Top tape	Min. 0 mm
	Carrier tape	Min. 160 mm (Min. 20 pockets)

[2] Inner carton

a) Packing to antistatic bag



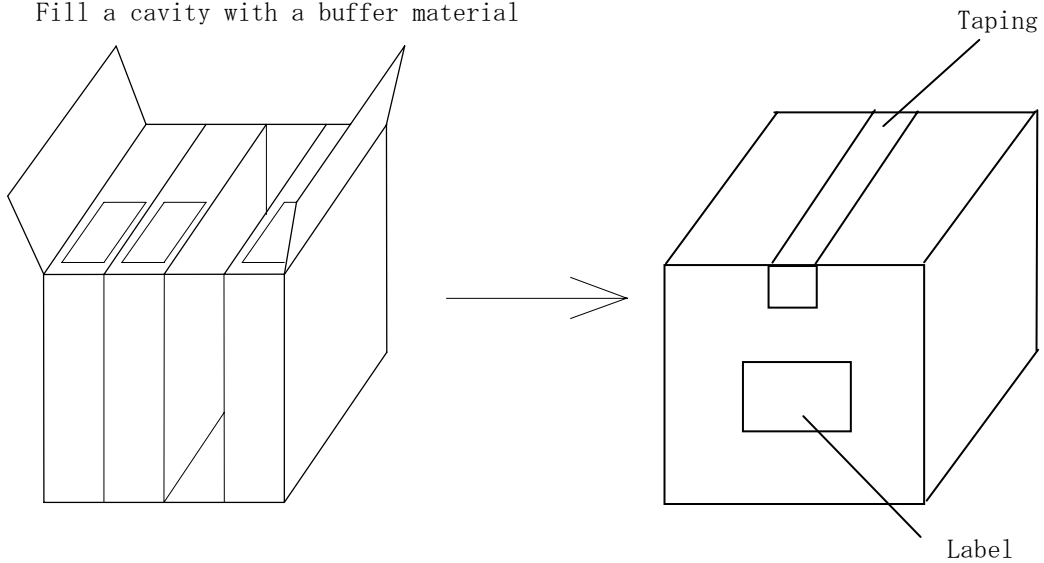
b) Packing to inner carton



[3] Shipping carton

Packing inner carton into outer carton (Max. 6 reel)

Fill a cavity with a buffer material



[4] Marking

(1) Reel marking

- Reel marking shall consist of :
 - 1) Parts name
 - 2) Frequency
 - 3) Lot No.
 - 4) Quantity
 - 5) Manufacturing date or symbol
 - 6) Manufacturer's date or symbol
 - 7) Others

(2) Inner carton marking

- Same as reel marking.

(3) Shipping carton marking

- Shipping carton marking shall consist of :
 - 1) Parts name
 - 2) Quantity

[5] StandardQuantity

- 2000 pcs./reel

[6] Storage environment

- (1) To storage the reel at normal temperature, normal humidity.
(In accordance with JIS Z-8703)
- (2) To open the packing just before using.
- (3) Not to expose the sun.
- (4) Not to storage with some erosive chemicals.
- (5) Nothing is allowed to put on the reel or carton to prevent mechanical damage.

[7] Storage time limit

- 1 year in storage environment

[8] Handling

- (1) To handle with care to prevent the damage of tape, reel and products.
- (2) If one side of the reel is held, it may cause getting out of the place.