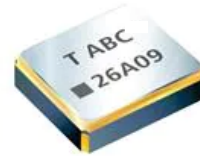


## Product Features

- Output Frequency : 1 ~ 204MHz
- Frequency Stability :  $\pm 50$  ppm
- Supply Voltage : 3.3V
- Operating Temperature : -40~105°C
- Output Type : CMOS
- Phase Jitter : 1ps (Max.) @100MHz , 3.3V
- RoHS and REACH Compliant , Pb-free , Halogen-free
- Fast Delivery
- Wide pull range and good linearity.
- Industry Standard Package :  
7.0 x 5.0 x 1.3 mm

Application :

- SDH/ SONET, Ethernet, Base Stations, etc.



Test condition  
Ambient temperature :  $25 \pm 5^\circ\text{C}$   
Relative humidity : 40% ~ 70%

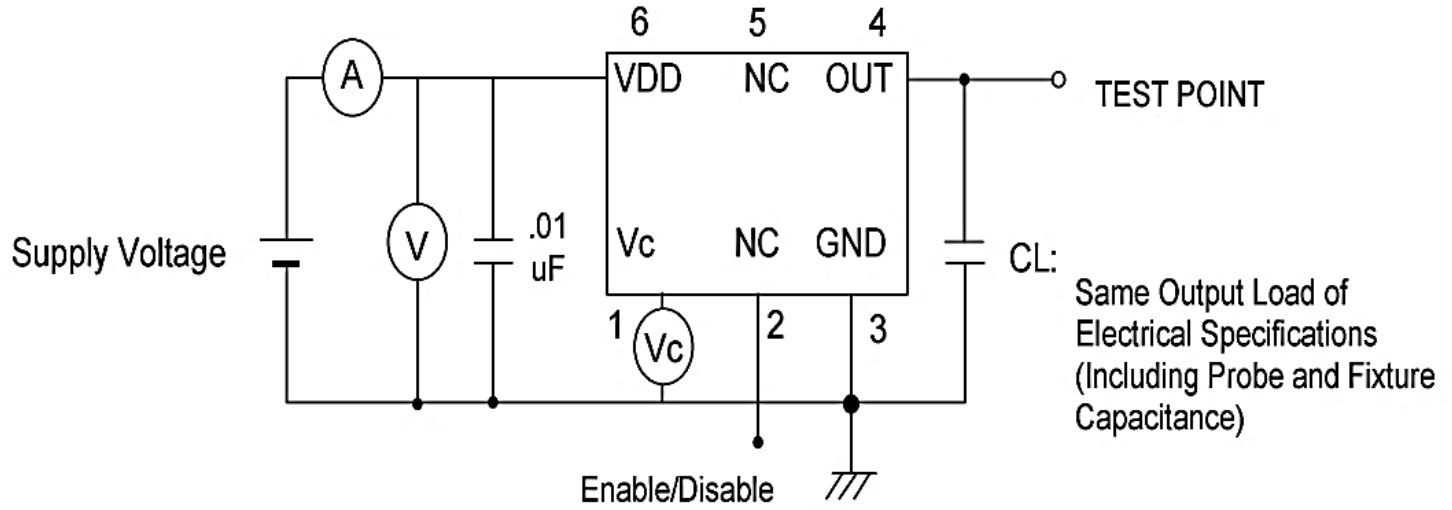
● Table 1 . Electrical Specifications

Parameters	Symbol	Min.	Typ.	Max.	Units	Notes
Nominal Frequency	F	1 ~ 204			MHz	
Frequency Tolerance	FT	$\pm 50$			ppm	@ -40~105°C , Note 1
Operating Temperature	Topr	-40	25	105	°C	
Supply Voltage	Vdd	3.3 ( $\pm 10\%$ )			V	
Current Consumption	Icc	-	-	40	mA	
Nominal Control Voltage	-	0.5 x Vdd				
Control Voltage Range	Vc	0~Vdd			V	
Standby Current	Icc(ST)	-	-	10	uA	OE = Low
Output Load : CMOS	CL	15			pF	
Output Voltage High	VoH	90%Vdd	-	-	V	
Output Voltage Low	VoL	-	-	10%Vdd	V	
Rise Time / Fall Time	Tr / Tf	-	-	5	ns	10% → 90% Vdd Level
		-	-	4	ns	20% → 80% Vdd Level
Symmetry (Duty ratio)	TH/T	45	~	55	%	
Start-up Time	Tosc	-	-	10	ms	To 90% of Final Amplitude
Output Disable Delay Time	T off	-	-	250	us	
Output Enable Delay Time	T on	-	-	300	us	
Enable Voltage High	VIH	70%Vdd	-	-	V	
Disable Voltage Low	VIL	-	-	30%Vdd	V	
APR	APR	$\pm 50$	-	-	ppm	Note2
Linearity	-	-	-	10	%	
Aging	-	$\pm 3$			ppm/yr.	1st. Year at 25°C
RMS Phase Jitter	PJ	-	-	1.0	ps	40MHz~200MHz @ 12KHz ~ 20MHz

Note 1: Inclusive of frequency tolerance at 25°C , variation over temperature, supply voltage variation, aging and vibration.

Note 2 : APR=(Pull Range) - (Frequency tolerance at 25 °C , variation over temperature, supply voltage variation, and aging.)

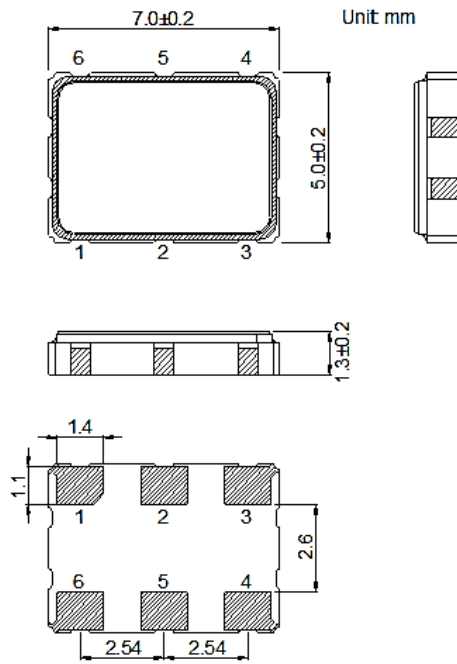
● **Test Diagram**



Note : OE terminal is open connection except OE function test.

● **Dimensions & Footprint (Recommended)**

Unit : mm

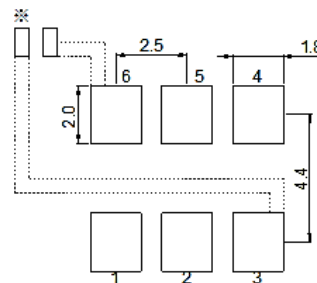


※ Pad dimension tolerance ±0.2 mm

**Pin Function:**

- 1. VC
- 2. OE
- 3. GND
- 4. OUT
- 5. NC
- 6. VDD

**Land Pattern:**



※ Power Supply Decoupling Capacitor is Required.

※ Pad dimension tolerance ±0.2 mm