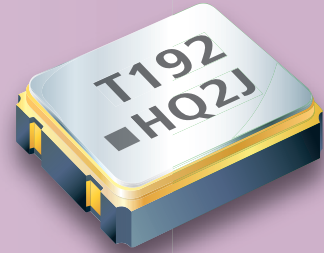


SMD RTC Crystal Oscillators 3.2 x 2.5 x 1.0 mm AUZ Series

Automotive
 Application Series

Features

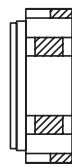
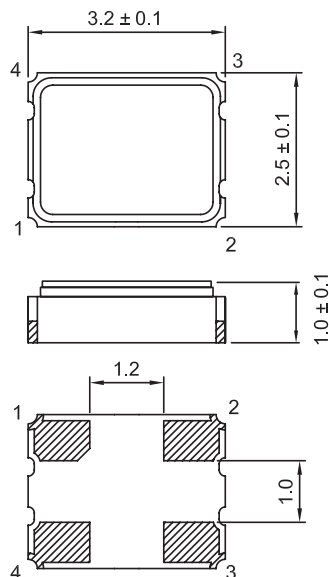
- kHz crystals oscillator in SMD seam sealed ceramic package.
- 4 pads design to achieve good soldering contact on PCB.
- At fundamental solution provides good frequency stability
- Tri-State function available for power saving
- RoHS Compliant / Pb Free.



Electrical Specifications

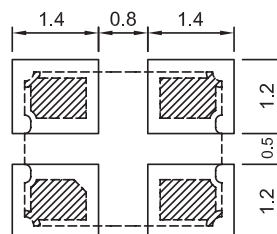
Item / Type	AUZ	
Output Type	CMOS	
Output Load	15 pF	
Oscillation Mode	Fundamental	
Supply Voltage	1.8 V	2.5 V, 2.8 V, 3.3 V
Frequency Range	32.768 kHz	
Frequency Stability	± 25 ppm, ± 50 ppm, ± 100 ppm	± 50 ppm, ± 100 ppm
Operating Temperature Range	- 40 ~ + 85 °C	- 40 ~ + 105 °C
Storage Temperature Range	- 55 ~ + 125 °C	
Voltage Vol (Max.) / Voh (Min.)	0.1 VDD / 0.9 VDD	
Rise (Tr) / Fall (Tf) Time	200 ns Max.	
Supply Current	3 mA Max.	
Symmetry	45 ~ 55 %	
Start-up Time	10 ms Max.	
Aging (at 25 °C)	± 5 ppm / year Max.	
Reliability Standard	AEC-Q100	

Dimensions



PAD FUNCTION:
 1:ENABLE CONTROL
 2:GND
 3:OUT
 4:VDD

Suggested Layout



Units: mm

Remark : Specification subject to change without prior notice. Please confirm with our sales. <http://www.txccorp.com>