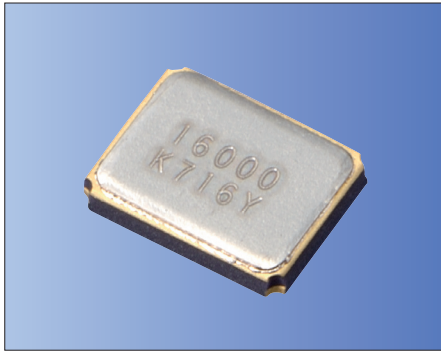




3.2 × 2.5mm for Consumer Products/ Mobile Communications



RoHS Compliant

Features

- Crystal unit for consumer products and mobile communications
- Miniature and low profile (3.2 × 2.5 × 0.55mm)
- Ceramic package
- Reflow compatible

Applications

- Digital Electronics
- Consumer Products
- Mobile Communications, Bluetooth®, Wireless LAN

* Bluetooth® Trademarks are owned by Bluetooth SIG Inc.

How to Order

CX3225SB 27000 D0 F P N CC
① ② ③ ④ ⑤ ⑥ ⑦

①Series	②Frequency
③Load Capacitance	④Frequency Tolerance
D0 8 pF	F ± 10 × 10 ⁻⁶
⑤Operating Temp. Range	⑥Frequency Temp. Stability
PN - 40 to +85° C	± 25 × 10 ⁻⁶

⑦Individual Specification (STD Specification is "CC")

Packaging (Tape & Reel 3000 pcs./ reel)

Specifications

Item	Symbol	Specification	Units	Remarks
Frequency Range	f _{nom}	12000 to 54000	kHz	
Overtone Order	OT	Fundamental	—	
Load Capacitance	CL	8	pF	Please contact us for other CL requirements.
Frequency Tolerance	f _{tol}	± 10	× 10 ⁻⁶	25° C ± 3° C
Motional Series Resistance	R1	Table 1	ohm	
Drive Level	DL	Table 2	μ W	
Operating Temp. Range	T _{use}	- 30 to +85 / -40 to +85	° C	
Storage Temp. Range	T _{stg}	- 40 to +85	° C	
Frequency Temp. Characteristics	f _{tem}	± 20 / ±25	× 10 ⁻⁶	Freq. deviation from the value at 25° C

Please contact us for other specifications.

Table 1 Motional Series Resistance

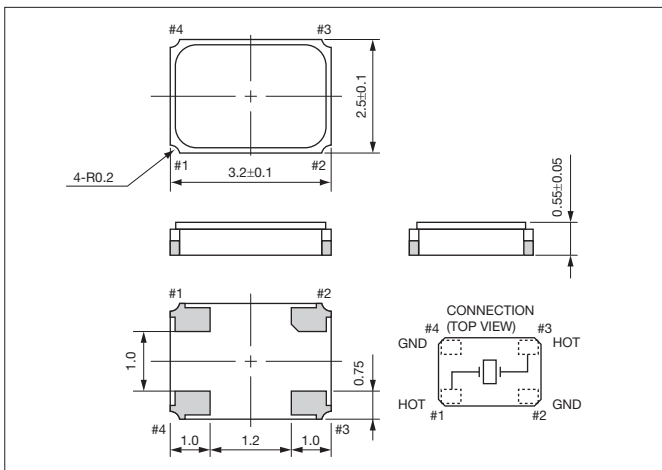
Frequency Range	Motional Series Resistance
12000 ≤ f _{nom} < 13000kHz	150 Ω max.
13000 ≤ f _{nom} < 20000kHz	80 Ω max.
20000 ≤ f _{nom} ≤ 54000kHz	50 Ω max.

Table 2 Level of Drive

Frequency Range	Level of Drive
12000 ≤ f _{nom} ≤ 54000kHz	10 μ W (100 μ W max.)

Dimensions

(Unit: mm)



Recommended Land Pattern

(Unit: mm)

