

# MHz Band Ceramic Resonators (SMD) PBRC-H/ PBRC-M/ PRQC Series



for Consumer Applications



RoHS Compliant

## Features

- Stable oscillation by using fundamental vibration in all frequencies
- Small & low profile
- Built-in capacitor structure
- Reflow solderable

## How to Order (PBRC-H, PBRC-M)

**PBRC 15.00 H R 50 X 000**  
① ② ③ ④ ⑤ ⑥ ⑦

- ① Series
- ② Frequency (MHz)
- ③ Type (H, M)
- ④ Packing R: Tape & Reel  
PBRC-H (2000 pcs./ Reel)  
PBRC-M (3000 pcs./ Reel)  
(Null): Bulk
- ⑤ Frequency Tolerance at 25°C

<b>10</b>	±0.1%	<b>20</b>	±0.2%
<b>30</b>	±0.3%	<b>40</b>	±0.4%
<b>50</b>	±0.5%	<b>70</b>	±0.7%

- ⑥ Operating Temperature

**X** -40°C to 85°C

- ⑦ Unique Code

## How to Order (PRQC)

**PRQC 8.00 C R 50 10 X 000**  
① ② ③ ④ ⑤ ⑥ ⑦ ⑧

- ① Series
- ② Frequency (MHz)
- ③ Type (C, S)
- ④ Packing R: Tape & Reel (3000 pcs./ Reel)  
(Null): Bulk
- ⑤ Frequency Tolerance at 25°C

<b>30</b>	±0.3%	<b>40</b>	±0.4%
<b>50</b>	±0.5%	<b>70</b>	±0.7%

- ⑥ Built-in Capacitance 10pF: 10 5pF: 05

- ⑦ Operating Temperature

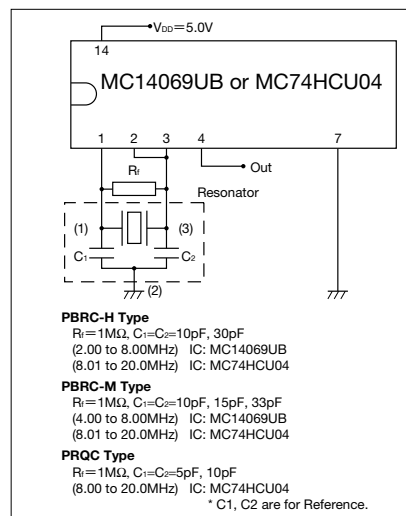
**W** -20°C to 80°C **X** -40°C to 85°C

- ⑧ Unique Code

## Specifications

Series	Frequency Range (MHz)	Frequency Tolerance (25°C)	Temperature Stability	Operating Temperature Range (°C)
PBRC-HR	2.0 to 8.0	±0.50%	±0.30%	-40 to 85
	8.1 to 20.0	±0.50%	±0.10%	-40 to 85
PBRC-MR	8.0 to 20.0	±0.50%	±0.10%	-40 to 85
	4.0 to 10.0	±0.50%	±0.30%	-40 to 85
PRQC	4.0 to 10.0	±0.50%	±0.50%	-40 to 85
	10.1 to 20.0	±0.50%	±0.50%	-40 to 85

## Test Circuit

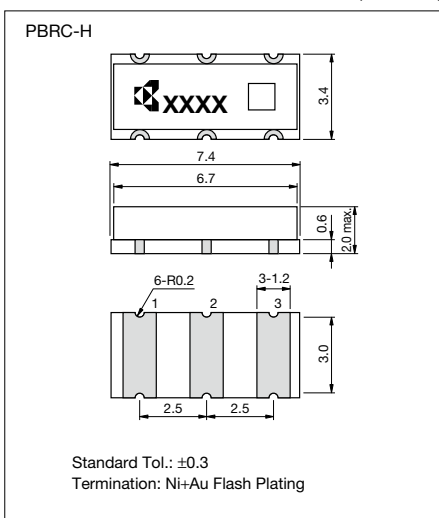


Note)

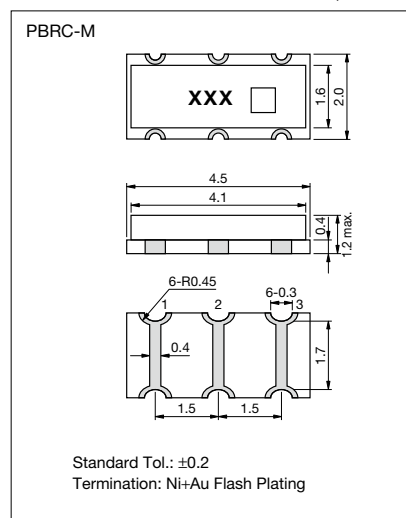
- This product includes built-in capacitors, but values may not be the most appropriate depending on IC's.
- Evaluation of circuit with IC is necessary. IC circuit matching may be referenced with
  - 1) IC data books
  - 2) List of Recommended circuits in Kyocera website.
- Please contact IC manufacturer or Kyocera when there are difficulties in finding recommended circuits.

## Dimensions

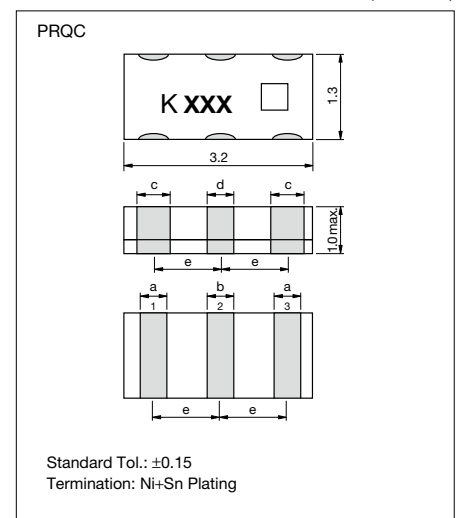
(Unit: mm)



(Unit: mm)



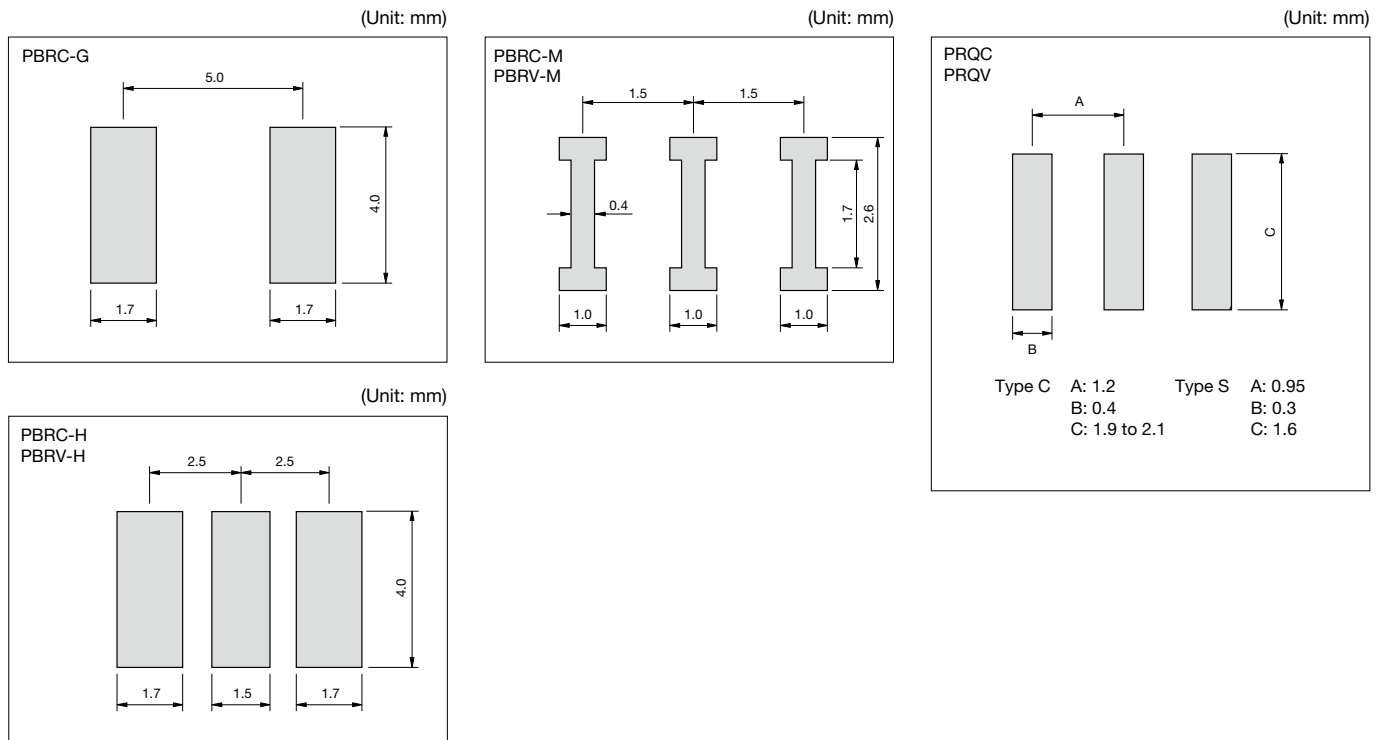
(Unit: mm)



(Unit: mm)

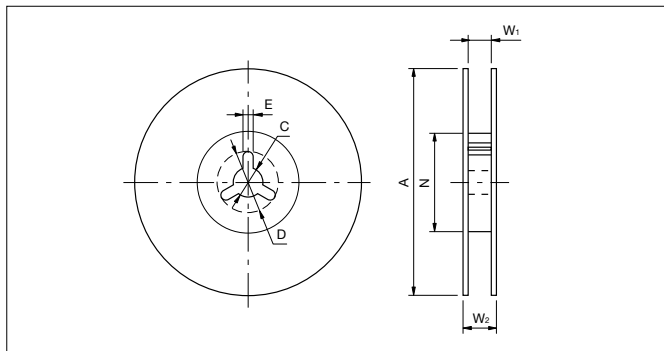
Type	Frequency (MHz)	a	b	c	d	e
<b>C</b>	8.00 to 20.00	0.4	0.4	0.5	0.4	1.2
<b>S</b>	14.00 to 20.00	0.6	0.4	0.5	0.4	0.95

## Recommended Land Pattern

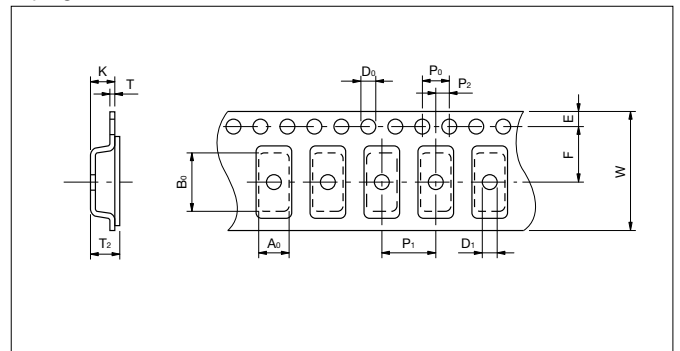


## Packaging

Reel



Taping



Code	A	N	W <sub>1</sub>	W <sub>2</sub>	C	D	E
7.4×3.4×2.0mm	250±2.0	80±2.0	16.5 <sup>+1.1</sup> <sub>-0.0</sub>	23.6 max.	13.0±0.5	21.0±0.8	2.0±0.5
4.5×2.0×1.2mm	180 <sup>+0</sup> <sub>-3</sub>	60 <sup>+1</sup> <sub>-0</sub>	13.0±0.3	15.4±1	13.0±0.2	21.0±0.8	2.0±0.5
3.2×1.3×1.3mm	180 <sup>+0</sup> <sub>-9</sub>	50 min	9.0±0.3	12.4 max.	13.0±0.5	21.0±0.8	2.0±0.5

Code	A <sub>0</sub>	B <sub>0</sub>	W	F	E	P <sub>1</sub>	P <sub>2</sub>	P <sub>0</sub>	D <sub>0</sub>	D <sub>1</sub>	T	T <sub>2</sub>	K
7.4×3.4×2.0mm	3.80±0.1	7.80±0.1	16.00±0.3	7.50±0.1	1.75±0.1	8.00±0.1	2.0±0.1	4.00±0.1	1.50 <sup>+0.1</sup> <sub>-0.0</sub>	1.50 <sup>+0.1</sup> <sub>-0.0</sub>	0.30±0.05	2.45±0.2	2.40±0.2
4.5×2.0×1.2mm	2.20±0.1	4.70±0.1	12.00±0.2	5.5±0.05	1.75±0.1	4.00±0.1	2.0±0.05	4.00±0.1	1.50 <sup>+0.1</sup> <sub>-0.0</sub>	1.0±0.1	0.30±0.05	1.85 max.	1.80 max.
3.2×1.3×1.3mm	1.50±0.2	3.45±0.2	8.00±0.3	3.50±0.05	1.75±0.1	4.00±0.1	2.0±0.05	4.00±0.1	1.50 <sup>+0.1</sup> <sub>-0.0</sub>	1.0 <sup>+0.1</sup> <sub>-0.0</sub>	0.25±0.05	1.40 max.	1.10±0.2

# Mouser Electronics

Authorized Distributor

Click to View Pricing, Inventory, Delivery & Lifecycle Information:

## [Kyocera AVX:](#)

[PBRC4.00MR50X000](#) [PBRC20.00MR70X000](#) [PBRC20.00HR50X000](#) [PBRC4.00HR50X000](#) [PBRC8.00MR50X000](#)  
[PBRC8.00HR50X000](#) [PBRC20.00HR70X000](#) [PBRC10.00MR70X000](#) [PBRC10.00MR50X000](#) [PRQC8.00CR5010X000](#)  
[PBRC2.00HR50X000](#) [PBRC20.00MR50X000](#) [PRQC20.00SR5010X000](#) [PBRC8.00HR10X000](#) [PBRC2.00HR10X000](#)  
[PBRC8.00MR10X000](#) [PBRC4.00MR10X000](#) [PRQC20.00CR5010X000](#)